

The Dacor logo is rendered in a bold, italicized, sans-serif font with a metallic, 3D effect. The letters are dark with a lighter, reflective highlight on the top and left sides, giving it a sleek, modern appearance. A registered trademark symbol (®) is located to the right of the logo.

dacor®

The Life of the Kitchen.®

The background of the page is a faded, grayscale image of a kitchen. It features a white gas cooktop with a white bowl on it, a white oven below, and a wooden countertop with various kitchen items like a glass pitcher, a bottle, and a dish rack. The overall tone is clean and professional.

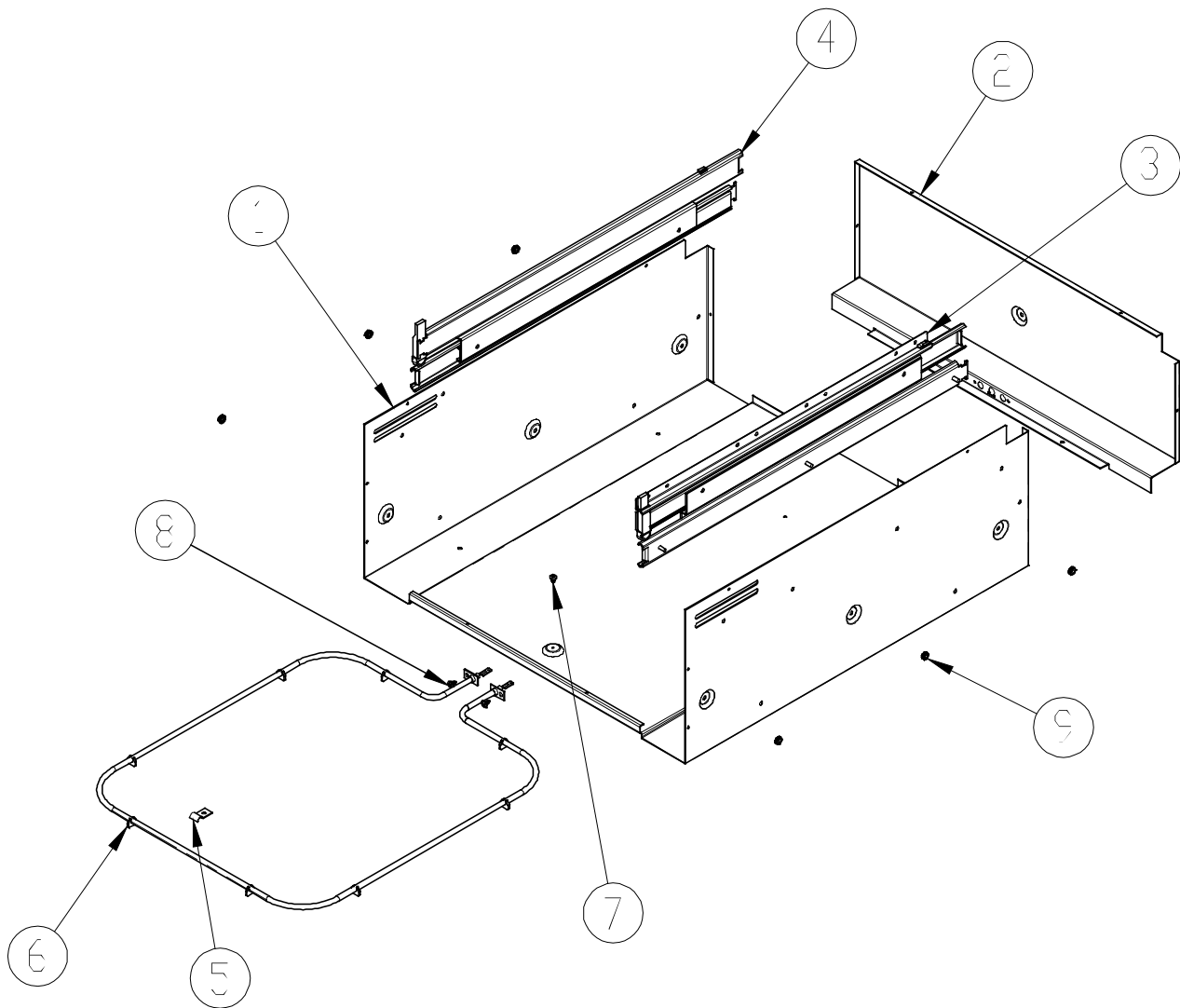
PARTS CATALOG

MWDH and MWDV Series Warming Drawers

| Page | Description |
|-------------|------------------------------|
| 2 | Chassis Wrap Assembly |
| 3 | Chassis Assembly |
| 4 | Chassis Parts |
| 5 | MWDH Drawer Assembly |
| 6 | MWDV Drawer Assembly |

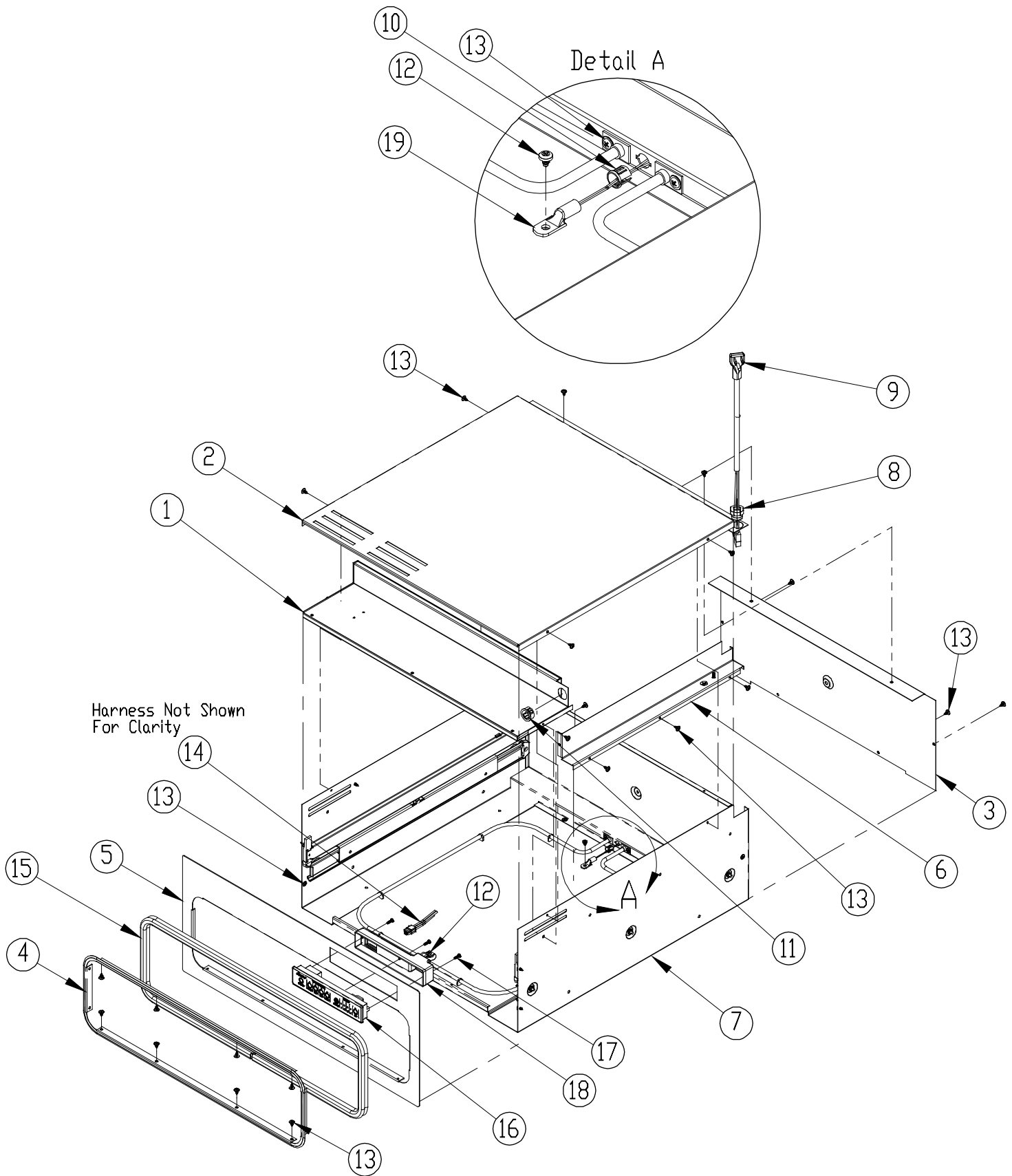
Revised 02-22-2012

MWDH/MWDV - Chassis Wrap Assembly



| Item | Description | MWDH27/ MWDV27 | MWDH30/ MWDV30 |
|------|---------------------------|-----------------------------|-------------------|
| 1 | Wrap, Chassis | 101883-02 | 101883-03 |
| 2 | Rear Partition | 101881-02 | 101881-03 |
| 3 | Slide Rail Set, RH | 72737 (includes both rails) | |
| 4 | Slide Rail Set, LH | | |
| 5 | Element Hold Down Clip | 102321 | 102321 |
| 6 | Heating Element | 101651 | 101651 |
| 7 | Screw, Phil HD, #8 x 1/4" | 83001 | 83001 |
| 8 | Screw, Phil HD, #8 x 3/8" | 83263 | 83263 |
| 9 | Nut, Hex Keps #8-32 | 83048 | 83048 |

MWDH/MWDV - Chassis Assembly



MWDH/MWDV - Chassis Parts

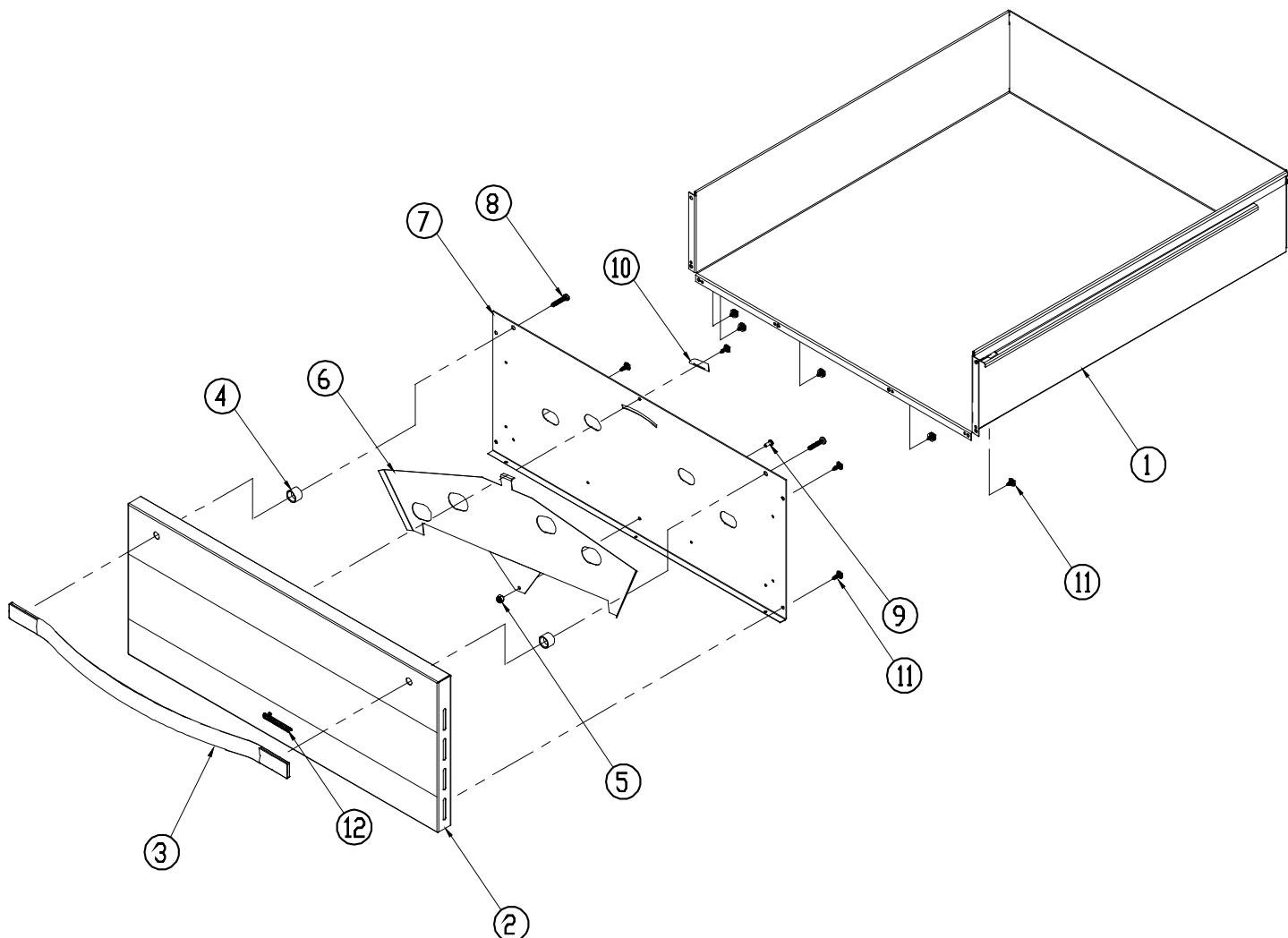
| Item | Description | MWDH27/ MWDV27 | MWDH30/ MWDV30 |
|------|---------------------------------|-------------------------|-------------------------|
| 1 | Assy, Channel Control | 700738-02 | 700738-03 |
| 2 | Top Cover | 101882-02 | 101882-03 |
| 3 | Cover, Rear | 101657-02 | 102657-03 |
| 4 | Frame Gasket | 701119-02 ¹ | 102445 ² |
| 5 | Front Frame Panel | 101879-02B ¹ | 101879-03B ² |
| 6 | Electric Chase Weld | 700877 | 700877 |
| 7 | Assy, Chassis Wrap | 700591-02 | 700591-03 |
| 8 | Strain Relief Bushing | 83141 | 83141 |
| 9 | Power Supply Cord | 72765 | 72765 |
| 10 | 3/8" Bushing Hole | 83532 | 83532 |
| 11 | Bushing, Heyco | 83056 | 83056 |
| 12 | Screw, Phil HD, #8 x 1/4" | 83001 | 83001 |
| 13 | Screw, Phil HD, #8 x 3/8" | 83263 ¹ | 83263 ² |
| 14 | Wire Harness (Not Shown) | 102347 | 102347 |
| - | Hi-Limit Thermostat (Not Shown) | 106613 | 106613 |
| 15 | Drawer Gasket | 101648 ¹ | 101649 ² |
| 16 | Control Unit w/Overlay | 101645 ³ | 101645 ³ |
| 17 | Screw, 6-19 x 1/2", Plastite | 102499 ³ | 102499 ³ |
| 18 | Cover, Control Unit | 101610 ³ | 101610 ³ |
| 19 | Thermistor | 102472 | 102472 |

¹Kit PN 701119-02 includes frame gasket, front frame panel, drawer gasket and 8 screws for 27 inch models.

²Kit PN 701119-03 includes frame gasket, front frame panel, drawer gasket and 8 screws for 30 inch models.

³Kit PN 701120 includes control unit, control unit cover and 3 screws (for use with all models).

MWDH27/MWDH30 - Drawer Assembly



| Item | Description | MWDH27 | MWDH30 |
|-----------|------------------------------|------------------------|------------------------|
| 1 | Drawer Wrap Assy | 701121-02 ¹ | 701121-03 ² |
| 2 | Door Skin Assy, w/ Logo | 701123-01 ³ | 701123-02 ⁴ |
| 3 | Door Handle | 72935 | 72937 |
| 4 | Door Spacer | 92126 | 92126 |
| 5 | Nut, Nylon, #10-24 | 83447 | 83447 |
| 6 | Moist/Crisp Slide | 36454 | 36454 |
| 7 | Panel, Door Backing | 102198-02E | 102198-03E |
| 8 | Screw, #10-32 x .75" | 83696 | 83696 |
| 9 | Screw, #8-32 x .375" | 83358 | 83358 |
| 10 | Knob, Damper-Black | 82415B | 82415B |
| 11 | Screw, Trx Wfr HD, #8 x 3/8" | 83534 | 83534 |
| 12 | Dacor Logo | 72510CH | 72510CH |

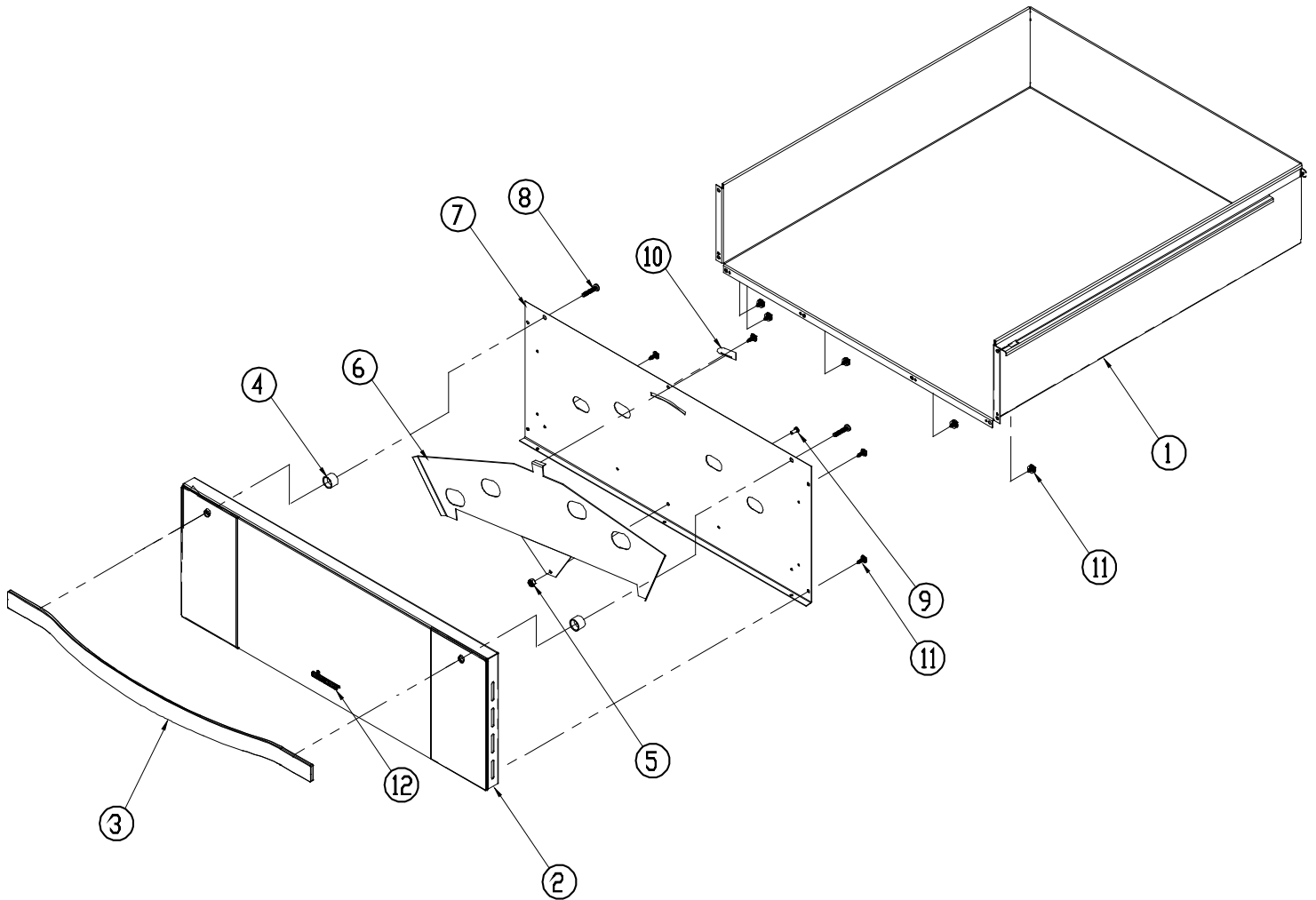
¹ PN 701121-02 includes 2 rivets, both rails and drawer wrap for 27 inch model.

² PN 701121-03 includes 2 rivets, both rails and drawer wrap for 30 inch model.

³ PN 701123-01 includes door front with glass, horizontal trim pieces and Dacor logo, for 27 inch model.

⁴ PN 701123-02 includes door front with glass, horizontal trim pieces and Dacor logo, for 30 inch model.

MWDV27/MWDV30 - Drawer Assembly



| Item | Description | MWDV27 | MWDV30 |
|-----------|--------------------------|------------------------|------------------------|
| 1 | Drawer Wrap | 701121-02 ¹ | 701121-03 ² |
| 2 | Door Skin Assy, w/ Logo | 701124-01 ³ | 701124-02 ⁴ |
| 3 | Door Handle | 72935 | 72937 |
| 4 | Door Spacer | 92126 | 92126 |
| 5 | Nut, Nylon, #10-24 | 83447 | 83447 |
| 6 | Moist/Crisp Slide | 36454 | 36454 |
| 7 | Panel, Door Backing | 102198-02E | 102198-03E |
| 8 | Screw, #10-32 x .75 | 83696 | 83696 |
| 9 | Screw, #8-32 x .375 | 83358 | 83358 |
| 10 | Knob, Damper-Black | 82415B | 82415B |
| 11 | Screw, Wfr HD, #8 x 3/8" | 83534 | 83534 |
| 12 | Dacor Logo | 72510CH | 72510CH |

¹ PN 701121-02 includes 2 rivets, both rails and drawer wrap for 27 inch model.

² PN 701121-03 includes 2 rivets, both rails and drawer wrap for 30 inch model.

³ PN 701124-01 includes door front with glass, vertical trim pieces and Dacor logo, for 27 inch model.

⁴ PN 701124-02 includes door front with glass, vertical trim pieces and Dacor logo, for 30 inch model.